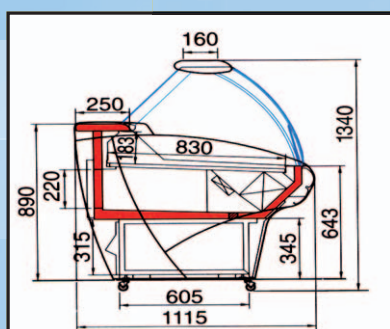




CE



**Banco frigo esposizione orizzontale vetro curvo con cella scorta refrigerata**

*Curved glass serve-over counter with refrigerated under storage*

Vetro frontale curvo. Chiusura posteriore con scorrevoli.  
*Curved frontal glass. Sliding doors to operator side.*

<b>EFB130</b>	banco frigo L130 con cella 1 porta <i>serve-over counter 130cm wide with 1 door under storage</i>	↗ 133 x 112 x H134	⚡ 0,5KW 240V (1F+N) 🔌 16A SCHUKO
<b>EFB200</b>	banco frigo L200 con cella 2 porta <i>serve-over counter 200cm wide with 2 door under storage</i>	↗ 200 x 112 x H134	⚡ 0,6KW 240V (1F+N) 🔌 16A SCHUKO
<b>EFB250</b>	banco frigo L260 con cella 3 porte <i>serve-over counter 260cm wide with 3 door under storage</i>	↗ 258 x 112 x H134	⚡ 0,8KW 240V (1F+N) 🔌 16A SCHUKO

### a richiesta • on request

- EFBC** kit chiave per EFB130/200/250  
*sliding door lock kit for EFB130/200/250*
- EFBR** versione con luce al Neon **ROSA** per esposizione di salumi e carne per EFB130/200/250  
**PINK** neon light version suitable for salami and meat display for EFB130/200/250



**ZORZI**

Viale dell'industria, 30 • CAP 37135 • Verona • Italy • Tel. +39 045 956917 • Telefax +39 045 8621285  
info@zorzi.vr.it • www.zorzi.vr.it